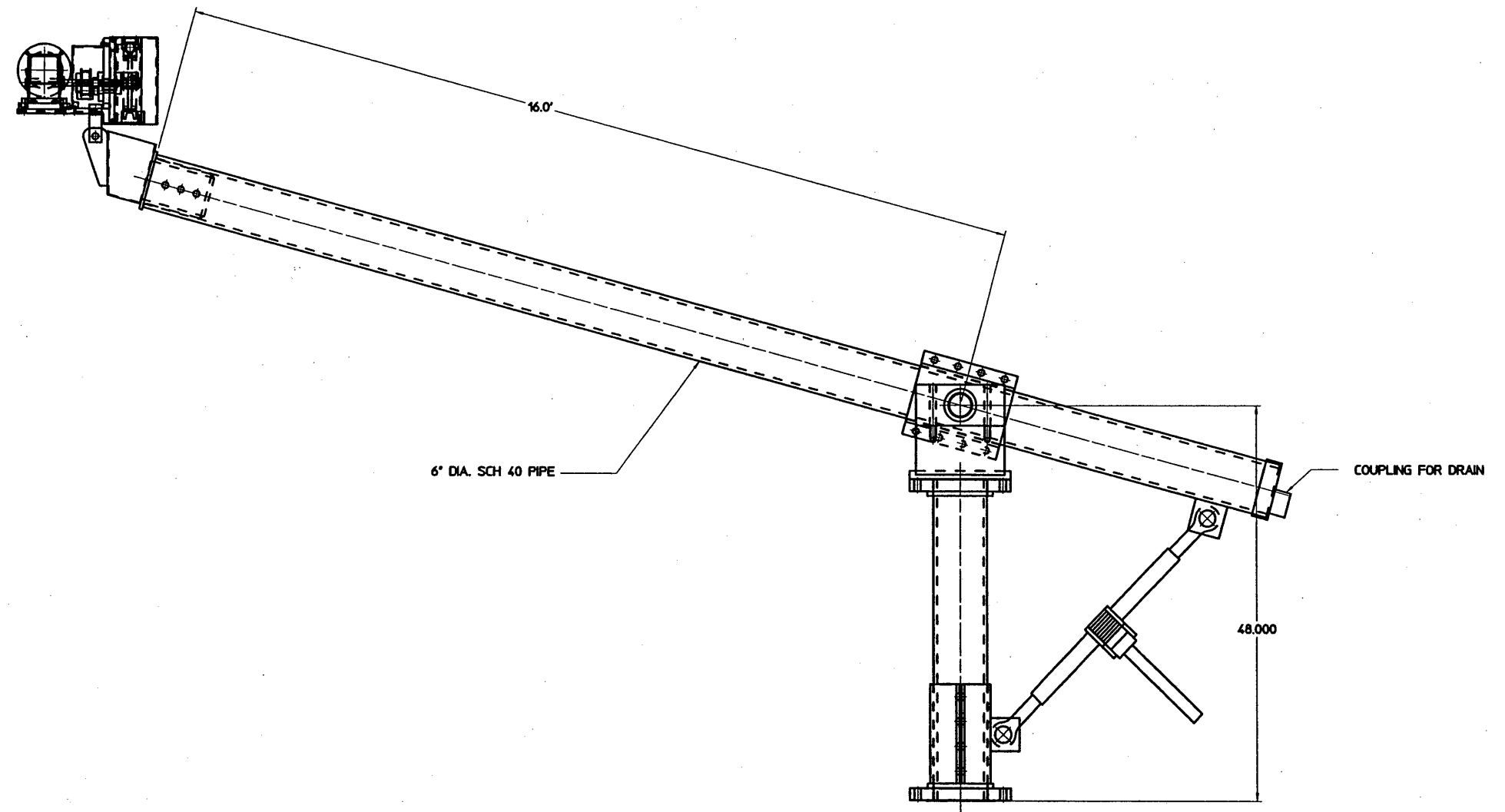


D-B2001

DO NOT SCALE DRAWING REPORT ALL DIMENSIONS TO ONE DEPT.
TOLERANCES THIS DRAWING: ± .001
THREE DECIMALS ± .001

REVISIONS				
ZONE	No.	DESCRIPTION	DATE	BY
	Δ			



DRAWING No.	ITEM	AMT	STOCK SIZE OR DESCRIPTION	MATERIAL																						
SIGNATURES																										
DRAWN KGK		NO	DAY	YR																						
CHECKED NC		06	12	03																						
TYPE OF PAPER																										
<table border="1"> <tr> <td>ASA</td> <td>OTHER SIZE</td> </tr> <tr> <td>300</td> <td>OTHER SIZE</td> </tr> <tr> <td>300</td> <td>OTHER SIZE</td> </tr> <tr> <td>300</td> <td>OTHER SIZE</td> </tr> <tr> <td>300</td> <td>OTHER SIZE</td> </tr> <tr> <td>300</td> <td>OTHER SIZE</td> </tr> <tr> <td>300</td> <td>OTHER SIZE</td> </tr> <tr> <td>300</td> <td>OTHER SIZE</td> </tr> <tr> <td>300</td> <td>OTHER SIZE</td> </tr> <tr> <td>300</td> <td>OTHER SIZE</td> </tr> <tr> <td>300</td> <td>OTHER SIZE</td> </tr> </table>					ASA	OTHER SIZE	300	OTHER SIZE	300	OTHER SIZE	300	OTHER SIZE	300	OTHER SIZE	300	OTHER SIZE	300	OTHER SIZE	300	OTHER SIZE	300	OTHER SIZE	300	OTHER SIZE	300	OTHER SIZE
ASA	OTHER SIZE																									
300	OTHER SIZE																									
300	OTHER SIZE																									
300	OTHER SIZE																									
300	OTHER SIZE																									
300	OTHER SIZE																									
300	OTHER SIZE																									
300	OTHER SIZE																									
300	OTHER SIZE																									
300	OTHER SIZE																									
300	OTHER SIZE																									
SKIMTECH THE SKIMTECH CORPORATION BOARDMAN, OHIO U.S.A. BOOM MOUNT SKIMMER																										
MATERIAL				FAB STEEL																						
SIZE				D B2001																						
SCALE				EIGHTH																						
SHEET				1 OF 1																						