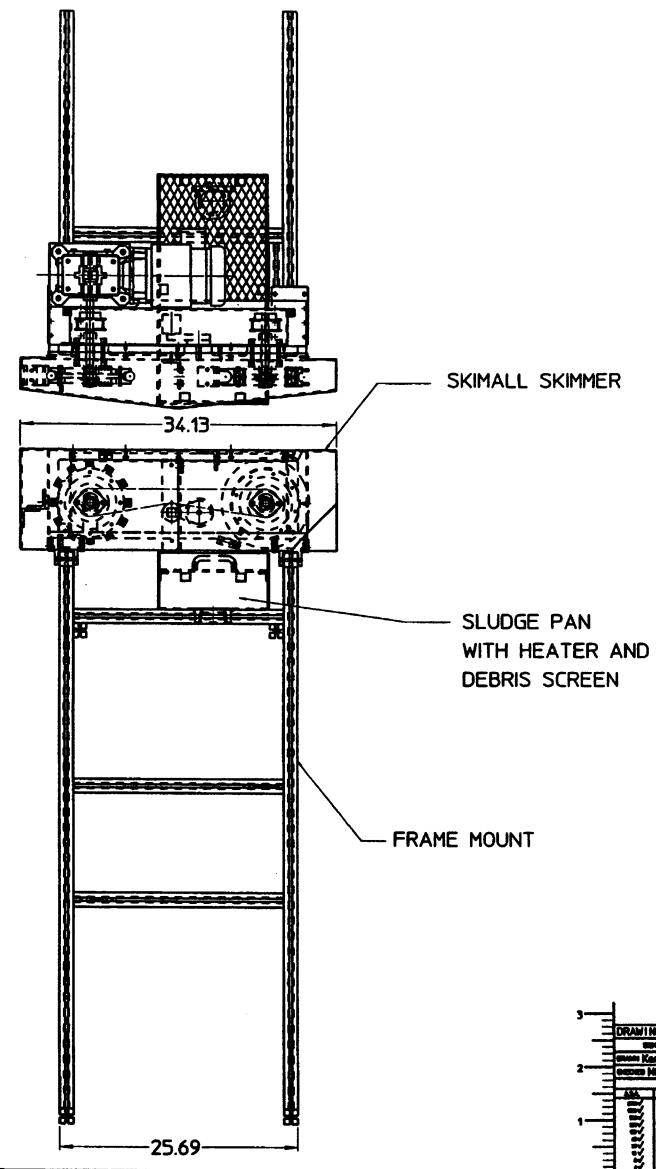
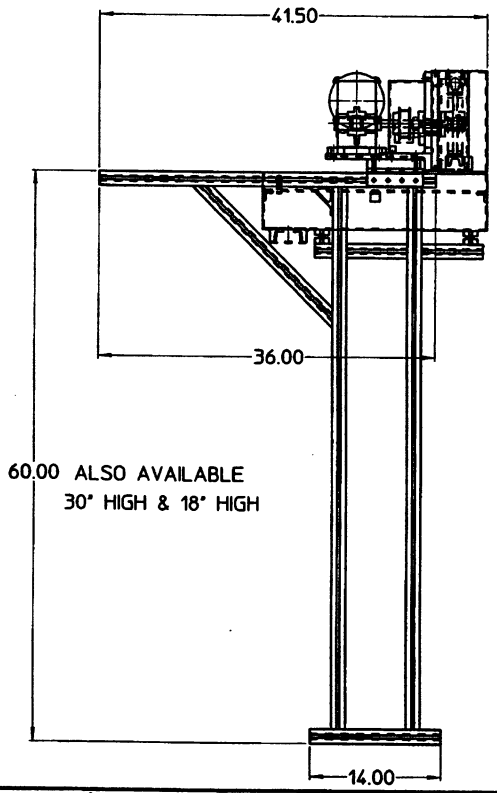


D-2023

DO NOT SCALE DRAWING. VERIFY ALL DIMENSIONS TO THIS COPY.  
PLEASE REFER TO THE ORIGINAL FOR ALL DIMENSIONS.

REVISIONS				
ZONE	NO.	DESCRIPTION	DATE	BY
▲				



3	DRAWING No.	31284 AH1	STOCK SIZE OR DESCRIPTION	MATERIAL
2	DESIGNED BY	Ken Koechak	01/29/09	SKIMTECH
1	CHECKED BY	01/29/09		STAND ASS'Y
				FAB ASS'Y
				REV D 2023
				SCALE 1:1 SHEET 1